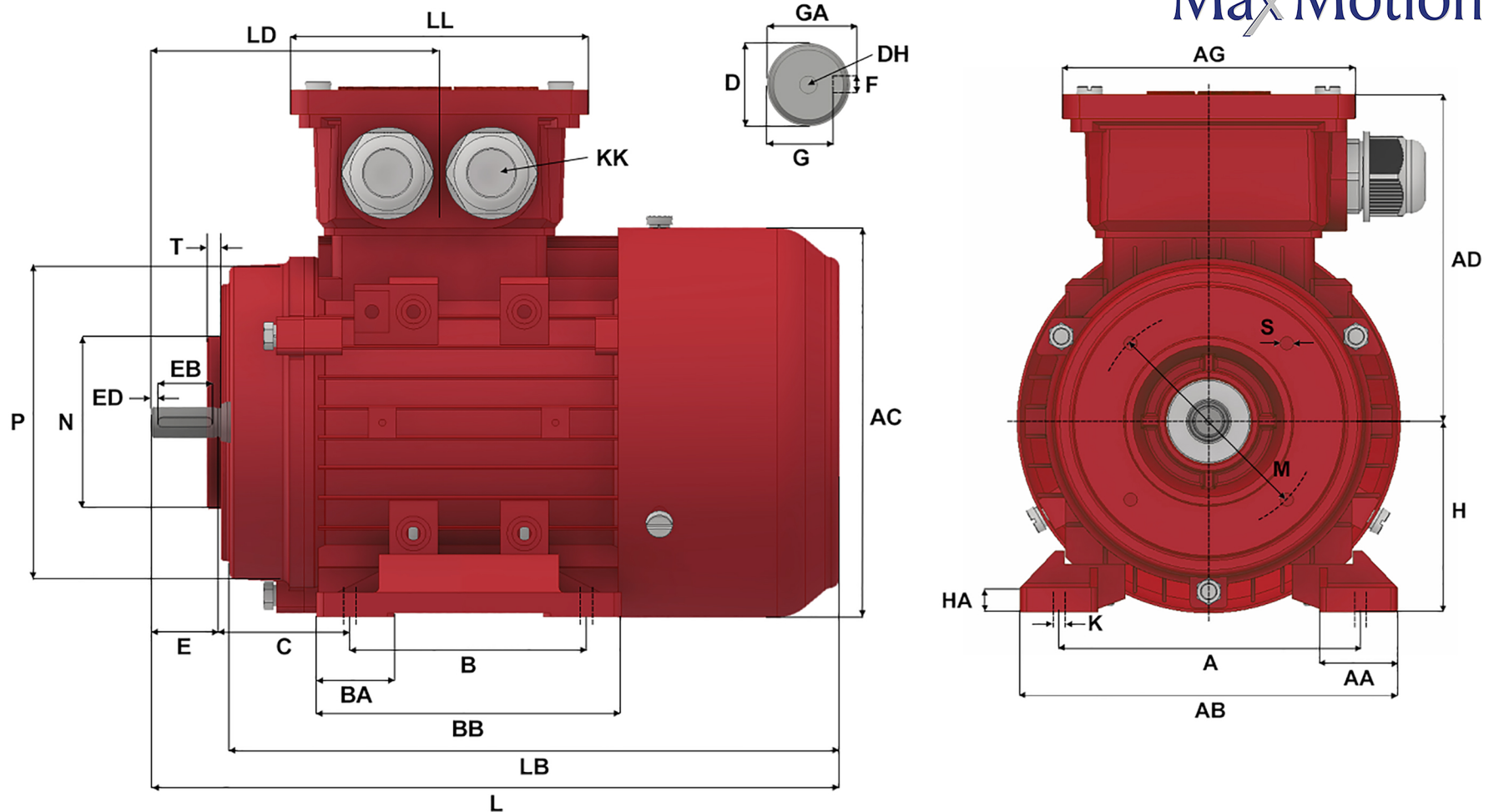


# MaxMotion



| Version: 1JLEM   |           | Revised: 09-11-2019 |        | HP  | RPM  | FRAME | ENCLOSURE | IJA631-6-B34A |         |    |      |      |  |  |  |  |
|--|-----------|---------------------|--------|-----|------|-------|-----------|---------------|---------|----|------|------|--|--|--|--|
| Customer is responsible in determining that Max Motion product will fit/perform suitably in the intended application |           |                     |        |     |      |       |           | 0.12          | 1020    | 63 | TEFC |      |  |  |  |  |
| A  | B         | C                   | D      | E   | F    | G     | H         | K             | L       | M  | N    | P    |  |  |  |  |
| 100  | 80        | 40                  | 11     | 23  | 4    | 8.5   | 63        | 7 X 9.5       | 217     | 75 | 60   | 90   |  |  |  |  |
| S  | T         | AA                  | AB     | AC  | AD   | AG    | BA        | BB            | DH      | EB | ED   | GA   |  |  |  |  |
| M5   | 2.5       | 24                  | 123    | 120 | 103  | 101   | 23.58     | 100           | M4 X 12 | 16 | 3.5  | 12.5 |  |  |  |  |
| HA   | KK (1)    | KK (2)              | KK (3) | LB  | LD   | LL    |           |               |         |    |      |      |  |  |  |  |
| 7  | M20 X 1.5 | 1/2" NPT            | -      | 194 | 95.5 | 101   |           |               |         |    |      |      |  |  |  |  |